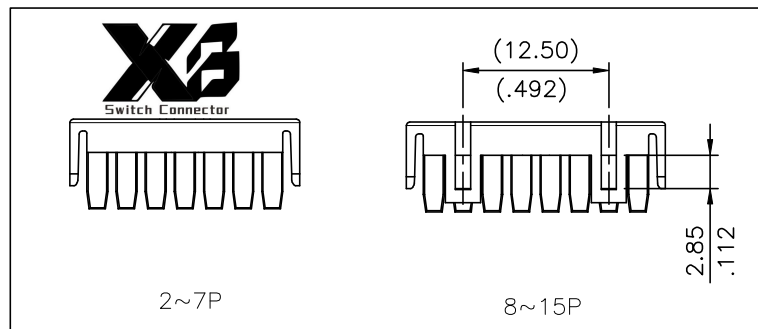
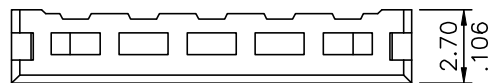
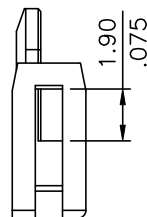
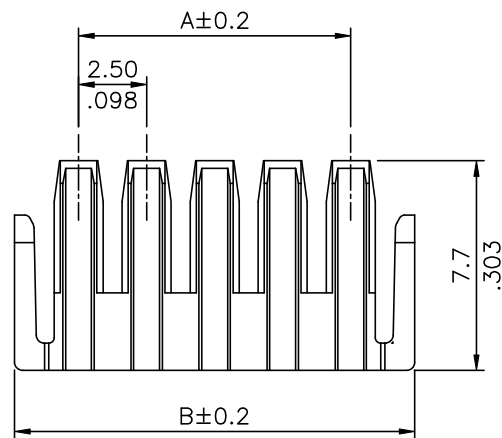


Material:
NY66+30%G.F. UL 94V-0, Color Black

Ordering Code:

CIEP ** C 0010 -NH
① ② ③ ④ ⑤

- ① Series No.
- ② Contact: 02 to 15
- ③ C= TPA
- ④ Option: 0010=Standard
- ④ -NH= Halogen-Free



Circuits	Dimension	
	A	B
2	2.50(.098)	7.20(.283)
3	5.00(.197)	9.70(.382)
4	7.50(.295)	12.20(.480)
5	10.00(.394)	14.70(.579)
6	12.50(.492)	17.20(.677)
7	15.00(.591)	19.70(.776)
8	17.50(.689)	22.20(.874)
9	20.00(.787)	24.70(.972)
10	22.50(.886)	27.20(1.071)
11	25.00(.984)	29.70(1.169)
12	27.50(1.083)	32.20(1.268)
13	30.00(1.181)	34.70(1.366)
14	32.50(1.280)	37.20(1.465)
15	35.00(1.378)	39.70(1.563)

Halogen-Free RoHS Compliant

④					DATE	UNIT: mm / inch	TITLE:	东莞市溪榜电子有限公司 DONG GUAN XI BANG ELECTRONICS CO., LTD.
③				DRAWN BY: Eric	11/13-23'	TOLERANCE UNLESS OTHERWISE SPECIFIED	2.50MM(.098") PITCH TPA	
②				ENGINEER: Eric	11/13-23'	.X ± 0.30/.012 X' ± 2'	MATERIAL:	
①				CHECKED BY: Easley	11/13-23'	.XX ± 0.20/.008 .X' ±	FINISH:	
SYM	NAME	DATE	REVISIONS	APPROVED BY: Easley	11/13-23'	.XXX ± 0.10/.004 .XX' ±		DRAWING NO. CIEP09SA PART NO. CIEP**C0010-NH
								SCALE 3/1 SHEET 1 OF 1